



Machining Services:

Item Description:	Item Number:
Cut to Length - Standard Profiles	1.01.0010.0

 ALL P90x90

1. Cutting for all profiles (excluding P90 x 90).

Item Description:	Item Number:
Cut to Length - P90 x 90	1.01.0011.0

 P90x90

1. Cutting P90 x 90 profile only.

Item Description:	Item Number:
Drilling - 6.5mm Holes	1.01.0034.0

 6.5 8 10

1. Drilling 6.5mm holes for Special Screw M8 x 25

Item Description:	Item Number:
Drilling - 9.5mm Holes	1.01.0030.0

 9.5 10 P90x90

1. Drilling 9.5mm holes for Special Screw M12 x 30

Item Description:	Item Number:
Drilling - 9.5mm Holes - P90 x 90	1.01.0032.0

 9.5 10 P90x90

1. Drilling 9.5mm holes in profile P90x90.

Item Description:	Item Number:
Drilling - 10.2mm Holes	1.01.0033.0

 10.2 10

1. Drilling 10.2mm holes for CON C.

Item Description:	Item Number:
Drilling - 17.25mm Holes	1.01.0031.0

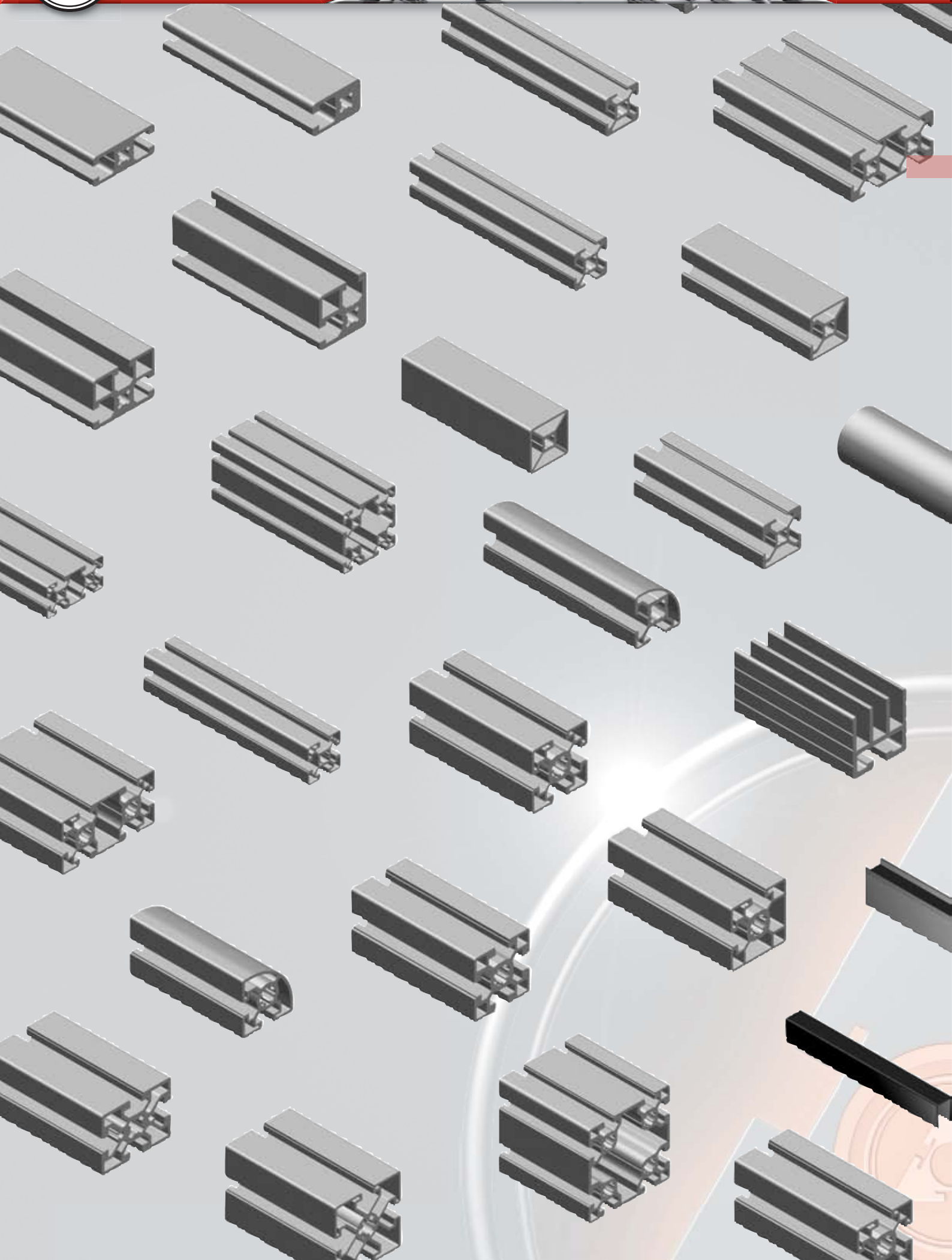
 17.25 10

1. Drilling 17.25mm for CON A/B/D.

Item Description:	Item Number:
Tap Extrusion Ends	1.01.0020.0

 M6 M8 M12 ALL

1. All 6mm slot extrusions have a core hole for M6 tapping.
2. All 8mm slot extrusions have a core hole for M8 tapping.
3. All 10mm slot extrusions have a core hole for M12 tapping.





Section 3

Joining Elements





Table of Contents:

	Page:
Assembly Hints:	
Vertical & Horizontal Profile Assembly Hints	3.04
Joint & Fastening Suggestions	3.04
Special Screws (SSC):	
SSC M12	3.05
SSC M8	3.05
Connectors (CON):	
CON A - S10	3.06
CON B - S10	3.06
CON D - S10	3.07
CON A - S8	3.08
CON B - S8	3.08
CON A/B - S8	3.09
CON A S8 - S10	3.10
CON A S10 - S8	3.10
CON C 17-90	3.11
CON C 45S, 60S, 90S	3.12
CON C 45SF, 60SF, 90SF	3.12
CON C 30SF	3.13
Slide Connectors (S CON):	
S CON - S8	3.14
S CON - S10	3.14
End Connectors (E CON):	
E CON 45 x 45	3.15
T - Connectors (T - CON):	
T - CON 45 x 45	3.16
T - Connector 45 x 45F	3.16
Mitre Connectors (CON M):	
CON MA	3.17
CON MB	3.17
CON M 90, 120, 135 - S10	3.18
CON M 90, 120, 135 - S8	3.18
CON MA 120, 135, 150 - S10	3.19
CON MB 120, 135, 150 - S10	3.19
Corner Brackets (CBR), End Covers (EC):	
CBR 20 x 20 x 17	3.20
EC 20 x 20 x 17	3.20
CBR 28 x 28 x 28	3.21
EC 28 x 28 x 28	3.21
CBR 39 x 39 x 39	3.22
EC 39 x 39 x 39	3.22
CBR 42 x 42 x 42	3.23
EC 42 x 42 x 42	3.23
CBR 57 x 57 x 57	3.24
EC 57 x 57 x 57	3.24
CBR 88 x 86 x 86	3.25



Table of Contents:

	Page:
Corner Brackets (CBR), End Covers (EC):	
EC 86 x 86 x 86	3.25
CBR 43 x 43 x 29	3.26
CBR 43 x 43 x 40	3.27
CBR 43 x 43 x 40H	3.27
CBR 43 x 43 x 85	3.28
CBR 90 x 90 x 39	3.29
CBR 90 x 90 x 85	3.29
CBR 42 x 45S	3.30
CBR 42 x 100S	3.30
CBR 20R	3.31
CBR 30R	3.31
CBR 45R	3.31
EC 20R, 30R, 45R - R	3.32
EC 20R, 30R, 45R - S	3.32
Joining Plates (JP):	
JP 90, 105, 120, 135, 150, 165	3.33
JP - T	3.34
JP - TS	3.34
JP - S	3.35
JP 90 x 180	3.36
T - JP	3.37
Pivot Joints (PJ):	
PJ 30 x 30	3.38
PJ 30 x 30 with locking lever	3.38
PJ 40 x 40	3.39
PJ 40 x 40 with locking lever	3.39
PJ 40 x 80	3.40
PJ 40 x 80 with locking lever	3.40
PJ 45 x 45F	3.41
PJ 45 x 45F with locking lever	3.41
PJ 45 x 45	3.42
PJ 45 x 90	3.43
PJ 45 x 90 with locking lever	3.43
Shelf Support Brackets (SSB):	
SSB - R, L=255	3.44
SSB - R, L=495	3.44
SSB - L, L=255	3.44
SSB - L, L=495	3.44
Floor Brackets (FBR):	
FBR - R	3.45
FBR - L	3.45
Support (SP):	
SP 30 x 30/60, SP 45 x 45/90	3.46
T - Nuts:	
M6 - S6	3.47

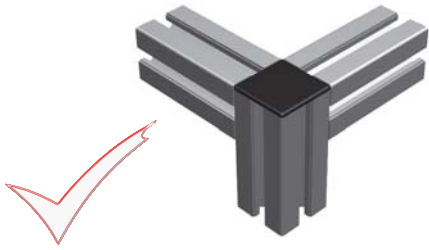


Table of Contents:

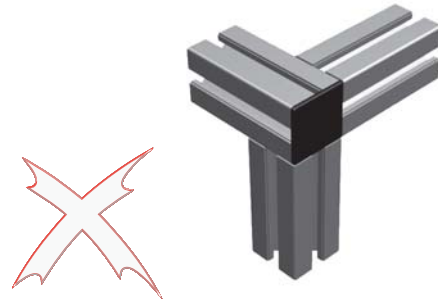
	Page:
T - Nuts:	
M4, M5, M6 - S8	3.48
M4, M5, M6, M8 - S10	3.49
T-Head Bolts (T-HB):	
T-HB M8 x 20, M8 x 30	3.50
Plastic Nuts (PLN):	
PLN M5, M6	3.51
Slide Nuts (SLN):	
SLN M4, M5, M6, M8, M10 x 1 - S10	3.52
SLN Profile 300F, 1000F - S10	3.52
SLN HS M6, M8 - S10	3.53
SLN HL M6, M8 - S10	3.53
SLN M8 x 2 - S10	3.54
SLN M8 x 3 - S10	3.54
SLN M8 x 4 - S10	3.55
SLN Profile 300, 1000 - S10	3.56
SLN M4, M5, M6, M8 x 1 - S8	3.57
SLN Profile 300F, 1000F - S8	3.57
SLN M6 x 2 - S8	3.58
SNL M6 x 4 - S8	3.58
SLN HS M6 - S8	3.59
Roll-in Nuts (RIN):	
RIN M5, M6, M8 - S10	3.60
Screws:	
Socket Head Cap Screws	3.61 - 3.62
Button Head Cap Screws	3.61 - 3.62
Counter Sunk Screws	3.61 - 3.62
Grub Screws	3.61 - 3.62
Nuts:	
Hex Nuts M5, M6, M8, M10, M12, M16, M20, M24	3.62
Wizz Nuts M5, M6, M8, M10, M12, M16, M20, M24	3.62
Nyloc Nuts M5, M6, M8, M10, M12, M16, M20, M24 s	3.62
Washers:	
Flat Washers - M4, M5, M6, M8, M10	3.62
Counter Sunk Washers - M5, M6, M8, M10	3.62



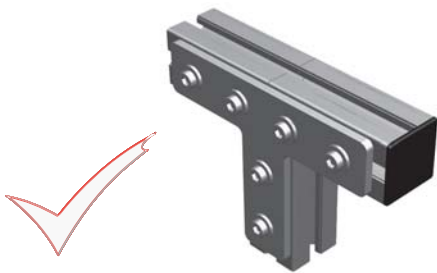
Assembly Hints:



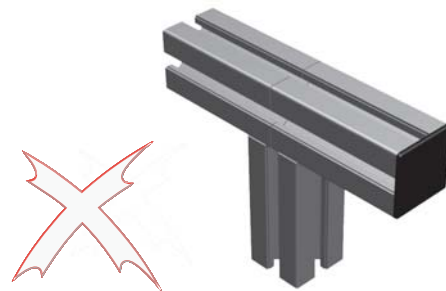
It is recommended that vertical profiles run unbroken from the top to the bottom of the assembly.



It is recommended that horizontal profiles be assembled between vertical profiles.



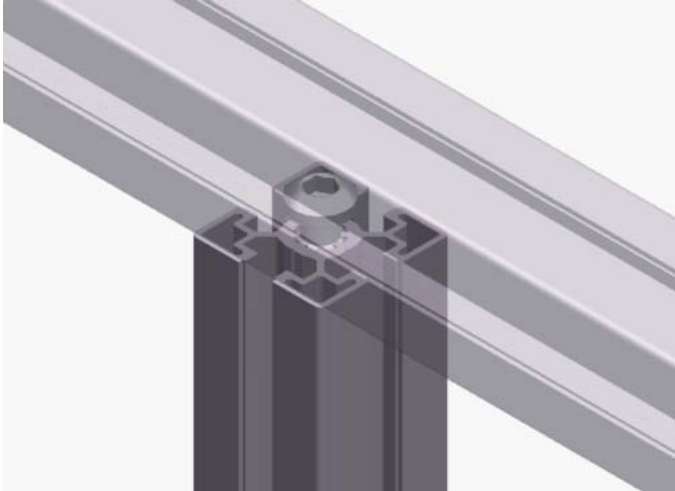
Use Joining Plates, Corner Brackets or Connectors where extra strength is required.



It is recommended that the joints of butt-fastened profiles be supported.



Special Screws (SSC):



General Information:

Note: With vibrating applications, secure screws with a thread locking compound..

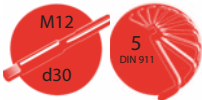
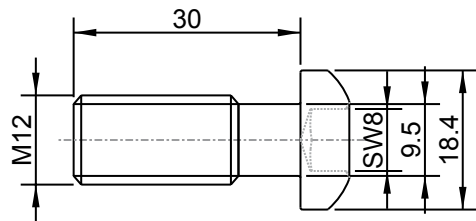
Function: Connects profiles at right angles.

Item Description:

SSC M12

Item Number:

1.20.1001.0

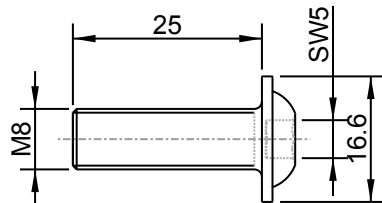


Item Description:

SSC M8

Item Number:

1.20.0801.0

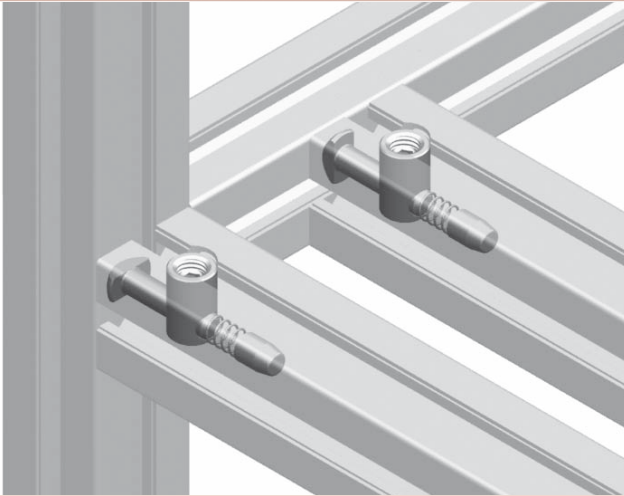


Technical Information:

Item Description	Weight (g)	Colour	Finish	Material
SSC M12	-	Blue	Zinc plated	Steel
SSC M8	-			



Connectors (CON):



General Information:

Function: Connects aluminium profiles at right angles.

Features:

1. A spring⁴ and plug⁵ to assist with positioning the pin³.

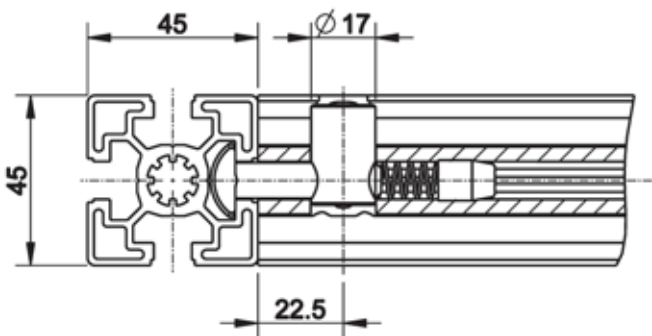
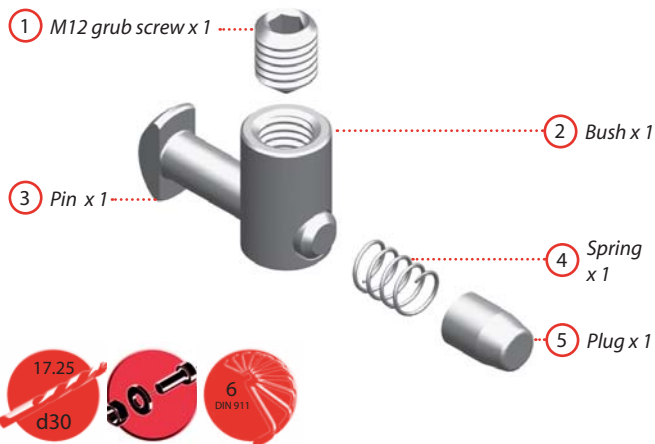
Item Description:

CON A - S10

Item Number:

1.20.1002.0

10



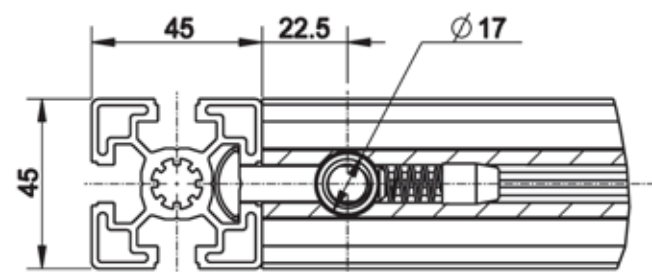
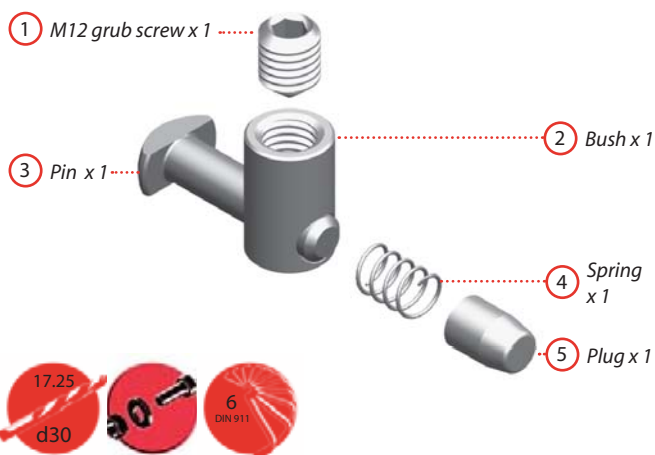
Item Description:

CON B - S10

Item Number:

1.20.1003.0

10



Technical Information:

Item Description	Bore Dia (mm)	Bore Depth (mm)	Weight (g)	Finish	Material
CON A - S10	17.25	30.0	66.0	1,2,3,4 - Zinc Plated 5 - Plain	1,2,3,4 - Steel 5 - Nylon, white
CON B - S10					



Connectors (CON):

General Information:



Function: Connects aluminium profiles to base plates.

Features:

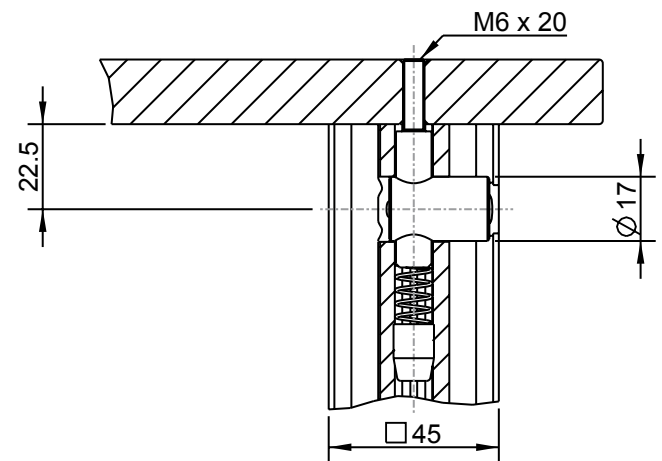
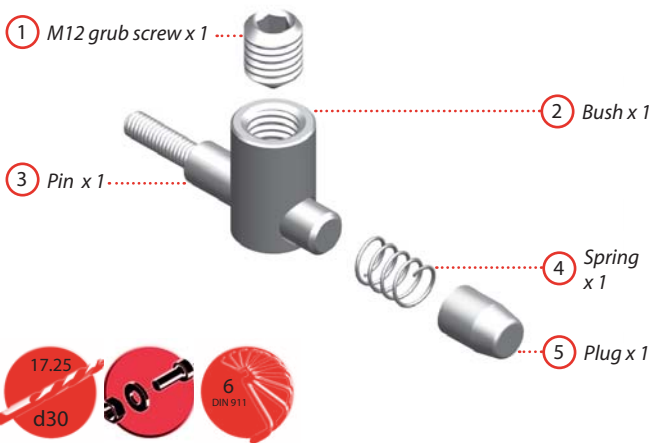
- 1. A pin³ with an M6 x 20 threaded end.
- 2. A spring⁴ and plug⁵ to assist with positioning the pin³.

Item Description:

Item Number:

CON D - S10

1.20.1005.0



Technical Information:

Item Description	Bore Dia (mm)	Bore Depth (mm)	Weight (g)	Finish	Material
CON D - S10	17.25	30.0	65.0	1,2,3,4 - Zn plated 5 - Plain	1,2,3,4 - Steel 5 - Nylon, white